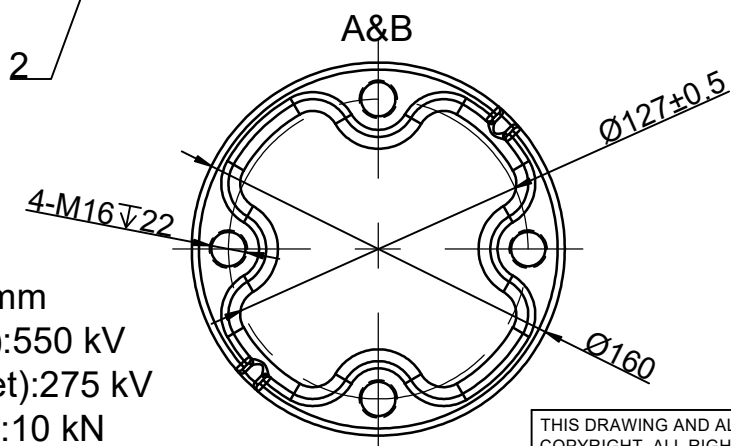
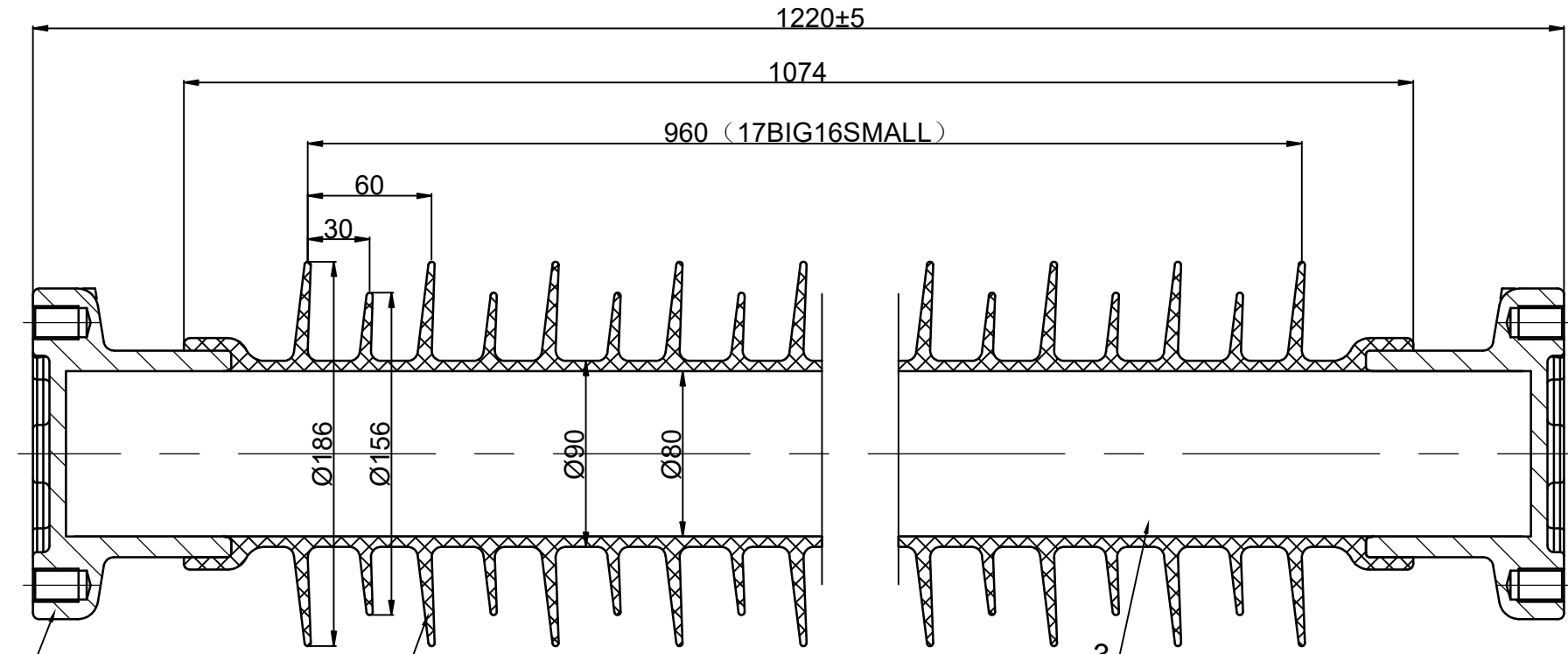


1 2 3 4 5 6

A
B
C
D

A
B
C
D



Specifications

1. Applied standard: IEC 62231
2. Min. Creepage distance: 3075 mm
3. Lightning impulse withstand(p): 550 kV
4. Power frequency withstand(wet): 275 kV
5. Specified cantilever load(SCL): 10 kN
6. Max. Design cantilever load(MDCL): 5 kN
7. Min. Torsion load: 4 kNm

3	CORE	1	FRP			
2	HOUSING	1	SILICONE RUBBER			
1	FLANGE	2	DUCTILE IRON			
ITEM	DESCRIPTION	QUANTITY	MATERIAL	PIECE MASS	TOTAL MASS	REMARK

THIS DRAWING AND ALL INFORMATION IS PROTECTED BY COPYRIGHT. ALL RIGHTS RESERVED BY CTC INSULATOR.				SCALE 1:1	MASS/KG 27.96	SHEET 1/1
DIMENSION ALL IN mm	GENERAL TOLERANCES FOR SIZE RANGE					DESCRIPTION
	0.5~3	>3~6	>6~30	>30~120	>120~400	>400
FITTING	±0.2	±0.3	±0.5	±0.8	±1.2	±2
CORE	±0.2	±0.3	±0.5	±0.8	±1.2	±2
HOUSING	±0.2	±0.3	±0.5	±0.8	±1.2	±2
ASSEMBLY	±(0.04×d+1.5) d≤300; ±(0.025×d+6) d>300 MAX±50					DESIGNATION
DESIGNED	24-8-26		zhao			DRAWING NUMBER 101-214205
APPROVED	24-8-26		YU			
					REVISION	CODE
					01	I



1 2 3 4 5 6