

Çalışkan®

FREE STANDING CAST IRON WOOD BURNING STOVES



Three large windows provide a magnificent view of the flames.

Environmentally friendly clean combustion!
Simple maintenance!

Model: 304 -3D



-The environment
Burning firewood is an environmentally friendly way to heat your home. Firewood is CO2 neutral and therefore the world's most climate-friendly resource. All Çalışkan stoves meet the requirements of Ecodesign 2022, an EU directive created to minimize particulate emissions and thereby improve air quality.

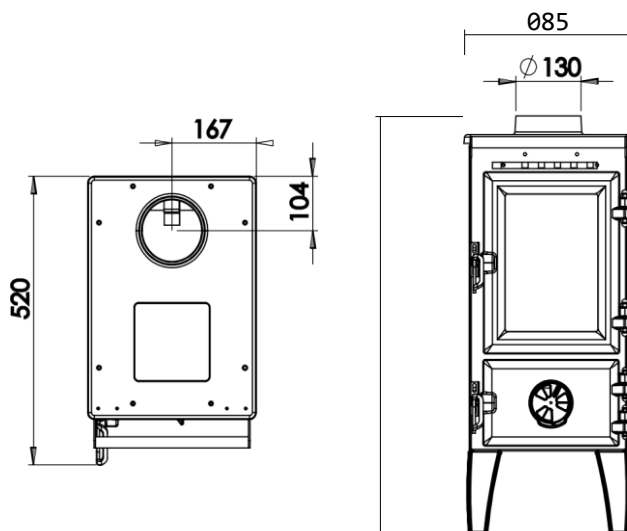


Model: 304





Product Code	304	304-3D
Freestanding wood burning stove	✓	✓
Freestanding wood burning stove with oven		
Nominal power (kW)	7,23kW	7,23kW
Heating area (m*)	10-85m ²	10-85m ²
Efficiency (%)	75,80%	75,80%
Energy efficiency class	A	A
Energy efficiency index	99,91	99,91
Total net weight (kg)	56kg.	60kg.
Outer dimensions (WxDxH) (cm)	33,5x52x79,5	35,5x52x79,5
Flue outlet, diameter (Al, cm)	B 13 cm	B 13 cm
Fuel: Only properly dried and split firewood!		
Maximum length of firewood log (cm)	35	35
Combustion chamber insulation material: High temperature resistant fire brick	✓	✓
Thermal shock resistant ceramic glass with heat reflective infrared (IR) feature	✓	✓
Ventilation slider that prevents soot formation on the glass	✓	✓
Cast iron doors, frames, combustion chamber grate	✓	✓
Top casting painted with fireproof paint	✓	✓
Porcelain enamel coated body	✓	✓
Stove body colour	matte black	matte black
Enamel Coated Oven		
Slider to evenly heat the oven		
Oven with Thermometer		
Chrome plated oven grill		
Oven vent slider that expels cooking odors through the chimney		
Nickel plated stylish door handles and towel rack	✓	✓
Ceramic plated stylish door handles		
Enamel coated drawer		
Hidden ash pan	✓	✓
Enamel coated cast iron feet	✓	✓
Distance to combustible components in front (cm)	80	80
Distance to combustible components at the side (cm)	80	80
Distance to combustible components at the rear (cm)	50	50



W 2ndBlmSchV



DESIGN



CERTIFICATO AMBIENTALE
DM186



Añ.15a B-VG