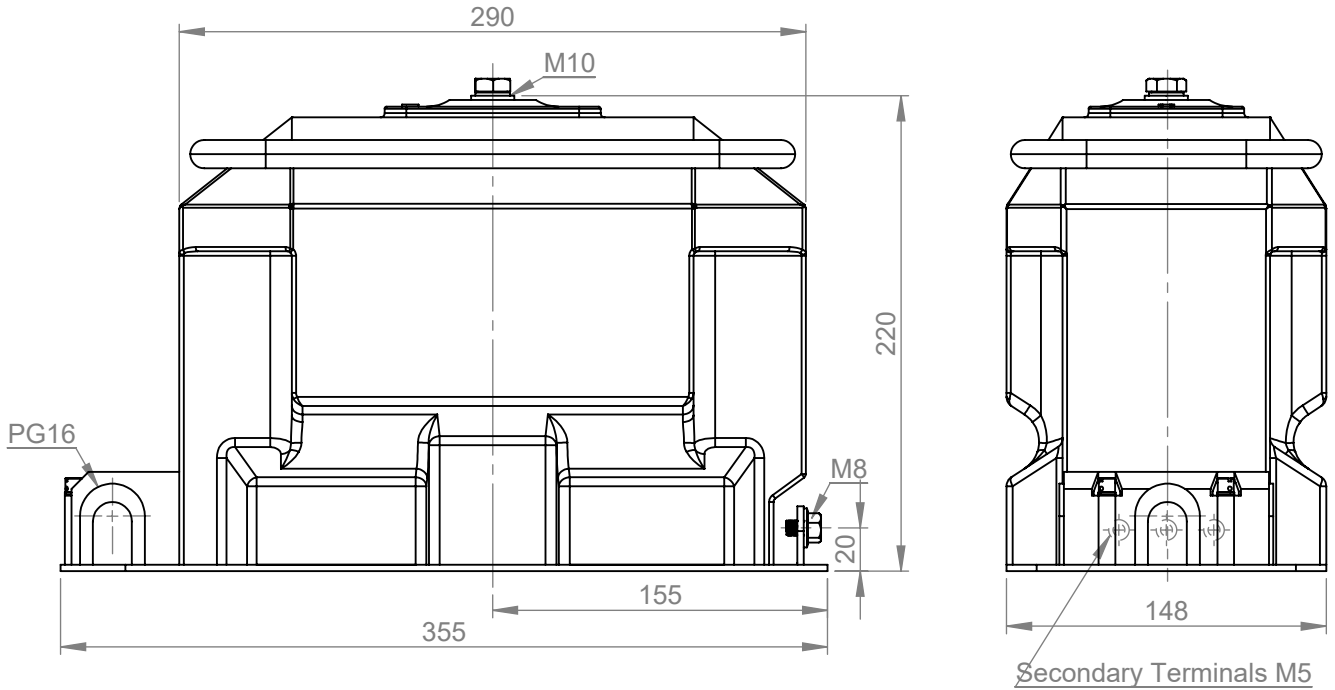
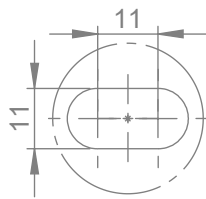
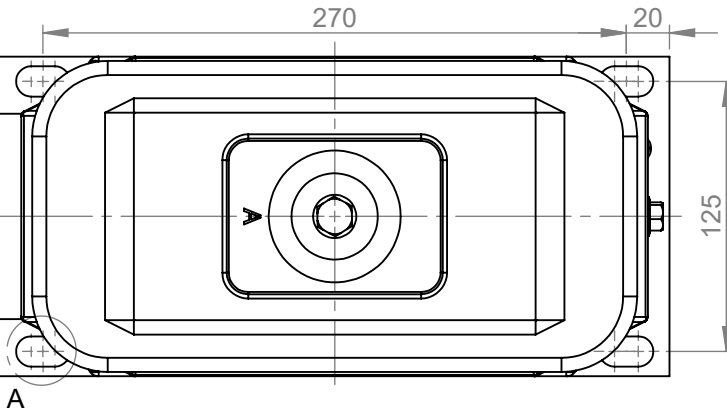
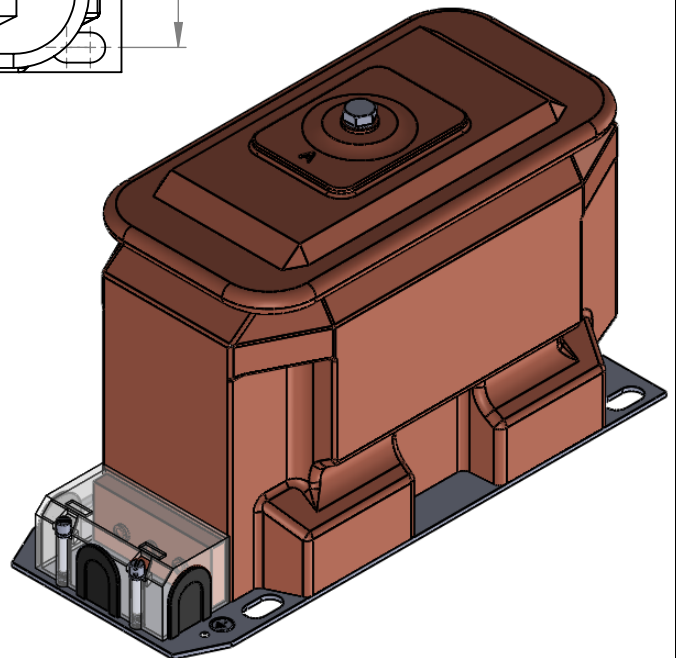


REV 1	The drawing has been revised.	20/06/2011
REV 2		
REV 3		



INFORMATION



A-DETAIL
SCALE 3:1

TIGHTENING TORQUE (Nm)	Min.	Max.
M5 (Secondary Terminal)	2.5	3.5
M8 (Ground Terminal)	15	20
M10 (Primary Terminal)	30	40

Note: All dimensions are in mm.
Small deviations in dimensions and construction possible.

UNIT	PARTNAME	ITEM	MTRL.DIMEN.	MTRL.COD.	DRAWING NO.	CAST RESIN MTRL.TYPE
REV.	DRW.BY	DATE	NAME	SIGNATURE		
TOLERANCE DIN 7168-g	CONTROL	DATE	NAME			
SCALE	PREPARED BY		CHECK BY			
VTB 10-K VOLTAGE TRANSFORMER					RAW.MTRL.CODE	ALT SAC 3933
					SEMI FINISHED MTRL.	
					5381-00	