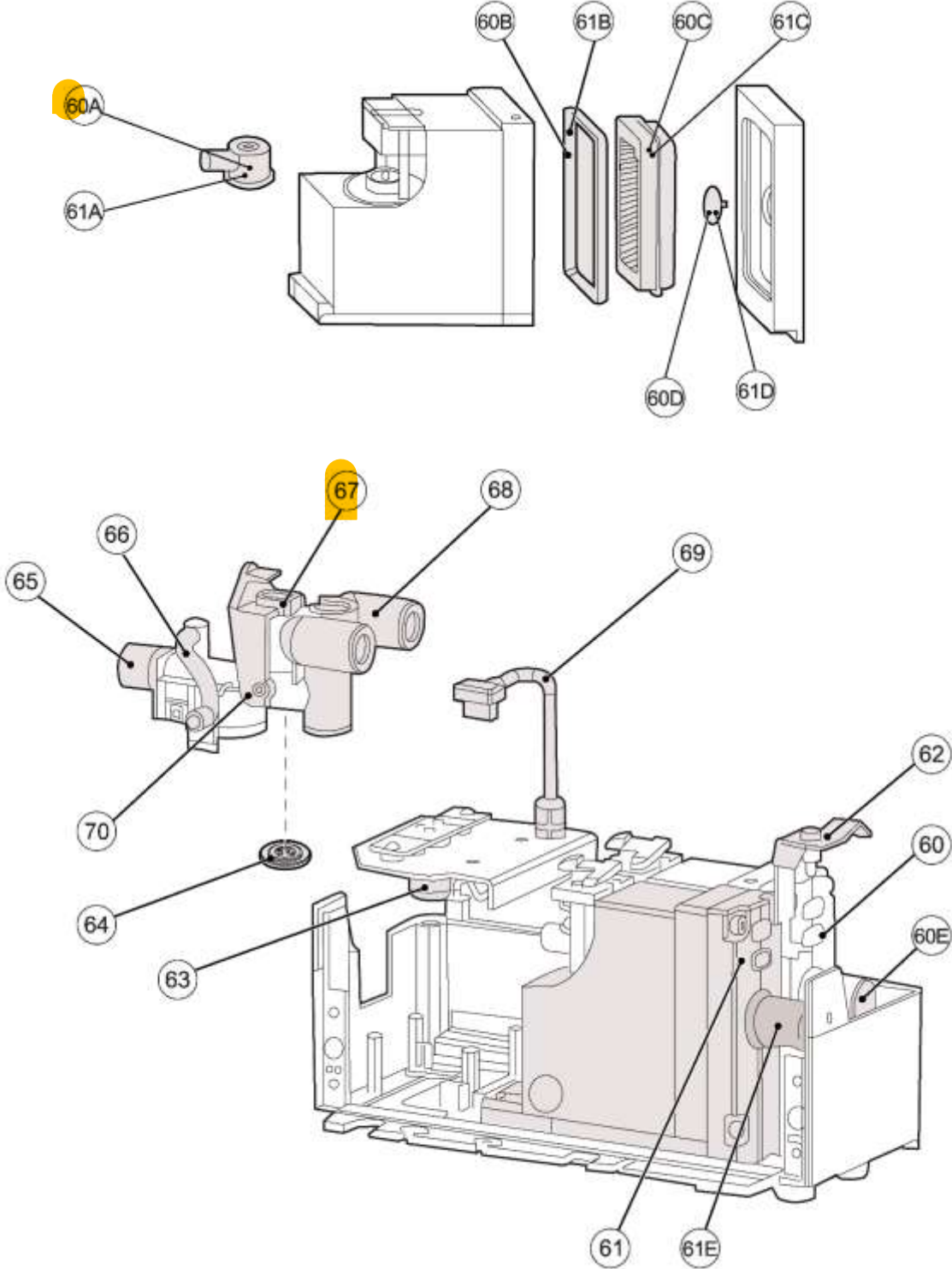


Figure 3: Patient unit, Inspiratory section



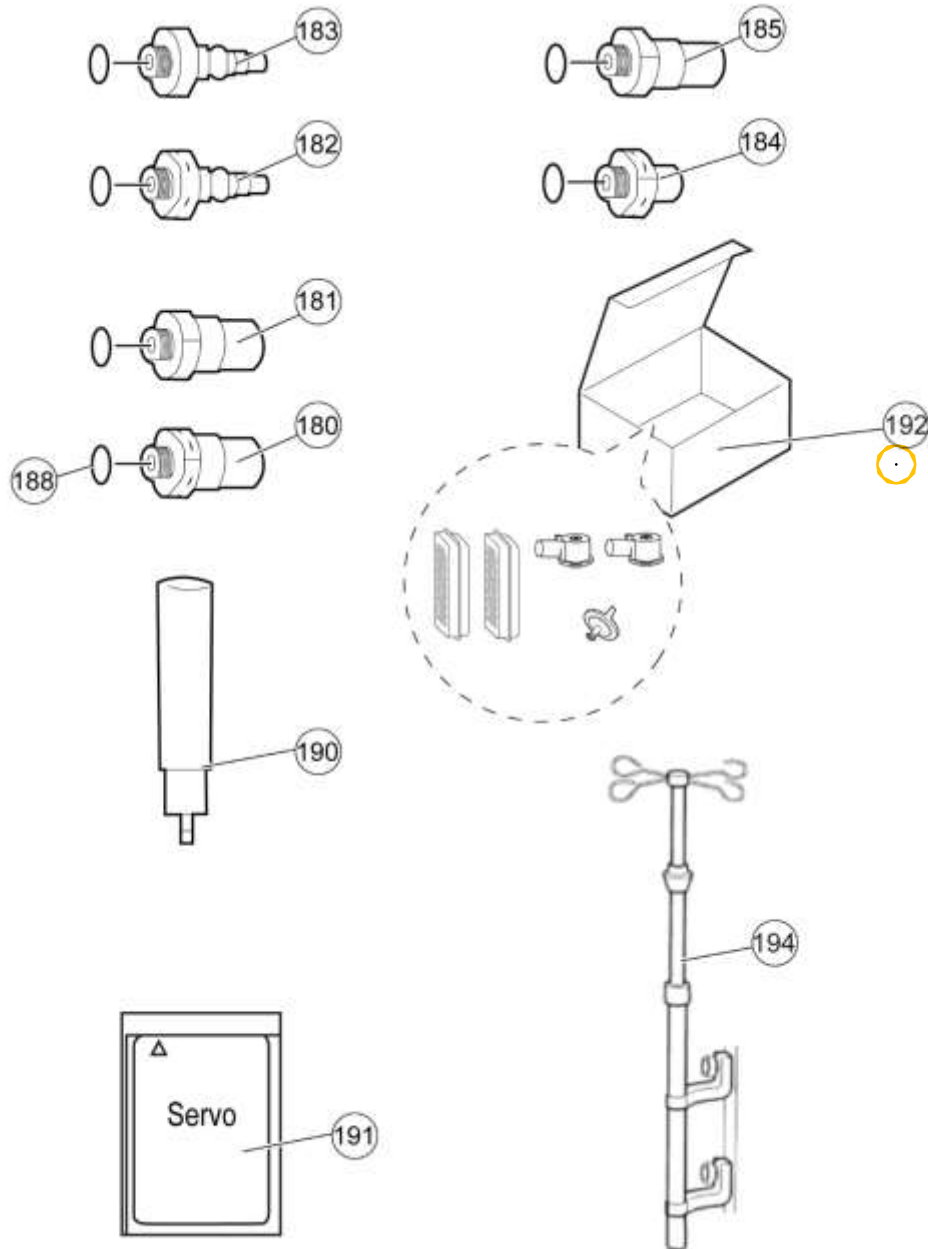
Servo-i Ventilator Spare Parts List

Table 3: Patient unit, Inspiratory section

ID	Part no.	Description	Comments
60	6671137	Gas module O2, Type III	
60A	6693792	Nozzle unit	
60B	6039528	Rubber seal for bacteria filter	
60C	6169416	Bacteria Filter for Gas Module	
60D	6169358	Non-return valve, 2 pcs	
60E	6532654	Module adapter O2, with O-rings	Fits only modules with 2 screws in end plate
61	6671135	Gas module Air, Type III	
61A	6693792	Nozzle unit	
61B	6039528	Rubber seal for bacteria filter	
61C	6169416	Bacteria Filter for Gas Module	
61D	6169358	Non-return valve, 2 pcs	
61E	6532647	Module adapter AIR, with O-rings	Fits only modules wit 2 screws in the end plate
62	6488113	Module bracket	
63	6670330	Pull magnet incl. bracket	
64	9303892	Filter for O2 cell, 25 pcs	
65	6532662	Inspiratory pipe	
66	6532977	Tube	
67	6640044	O2 cell	
68	6448612	Connector muff	
69	6487958	Cable for O2 cell	
70	6888750	O2 cell holder	

Servo-i Ventilator
Spare Parts List

Figure 7: Nipples and miscellaneous



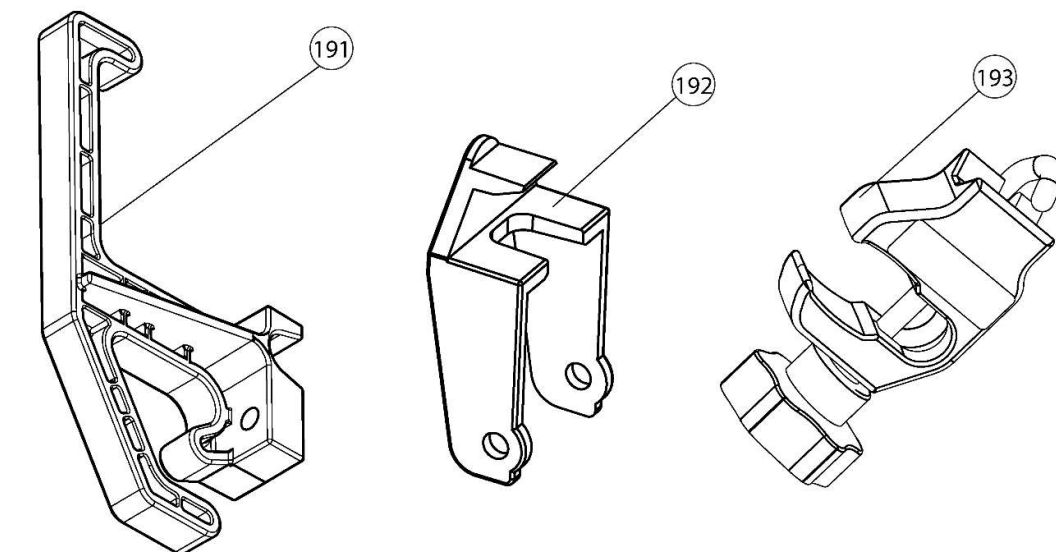
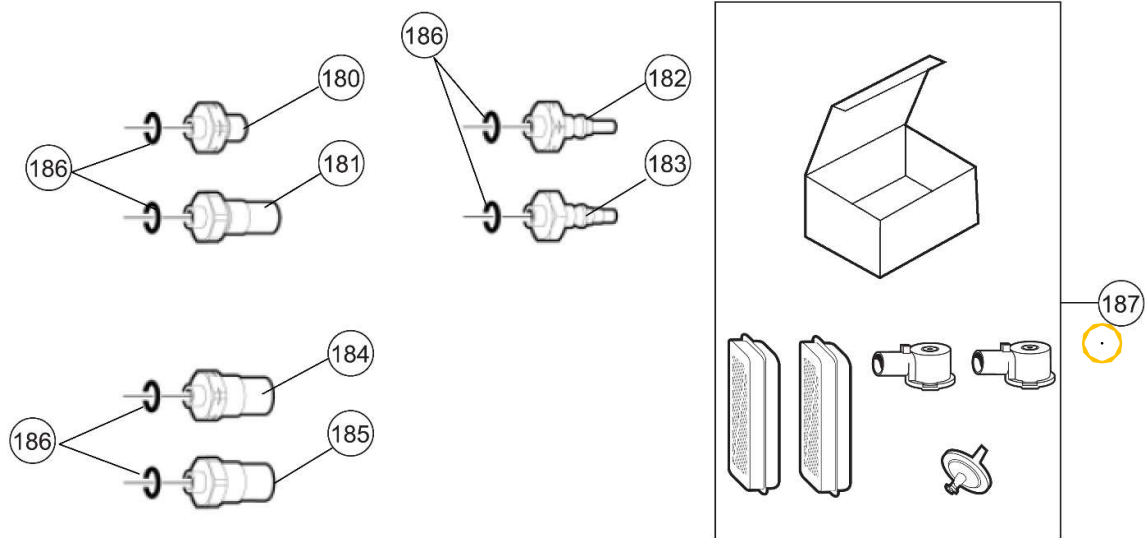
Servo-i Ventilator Spare Parts List

Lot: 137

Table 7: Nipples, Maintenance and miscellaneous

ID	Part no.	Description	Comments
180	6169234	NIST Connection O2	
181	6169242	NIST Connection AIR	
182	6169275	Male quick coupling O2, AGA	
183	6169283	Male quick coupling AIR, AGA	
184	6169259	DISS Connection O2	
185	6169267	DISS Connection AIR	
188	9131434	O-ring 12.1 X 1.6, 10 pcs	Included in positions 180-186
190	3444403	Laquer Stick White NCS S1002-Y	
	6679195	Laquer stick Lt grey NCS 2502-B	
	6679575	Laquer stick Dk grey NCS 6005-R80B	
191	6667245	Software download card	
192	6532621	Maintenance Kit 5000h	
193	9573700	Grease ALEXOL STABOX (oxygen compatible)	Tube of 20 g Not shown in picture
194	6481738	IV pole	
195	6523935	Humidifier holder	Not shown in picture
196	6524339	Gas cylinder restrainer kit	Not shown in picture
197	6671720	Servo-i shelf base	Not shown in picture
198	6685342	Aeroneb module, Servo-i	Not shown in picture
199	6881766	CO2 analyzer module, Capnostat 5	Takes up two slots Not shown in picture
200	6670650	Y-sensor module, Servo-i	Not shown in picture
201	6670662	Y sensor infant (10 pcs)	Not shown in picture
202	6682455	PC card reader, USB connection	Not shown in picture

Figure 7: Nipples, service kit, tools and miscellaneous



Servo-u/Servo-n/Servo-u MR Ventilator Spare Parts List

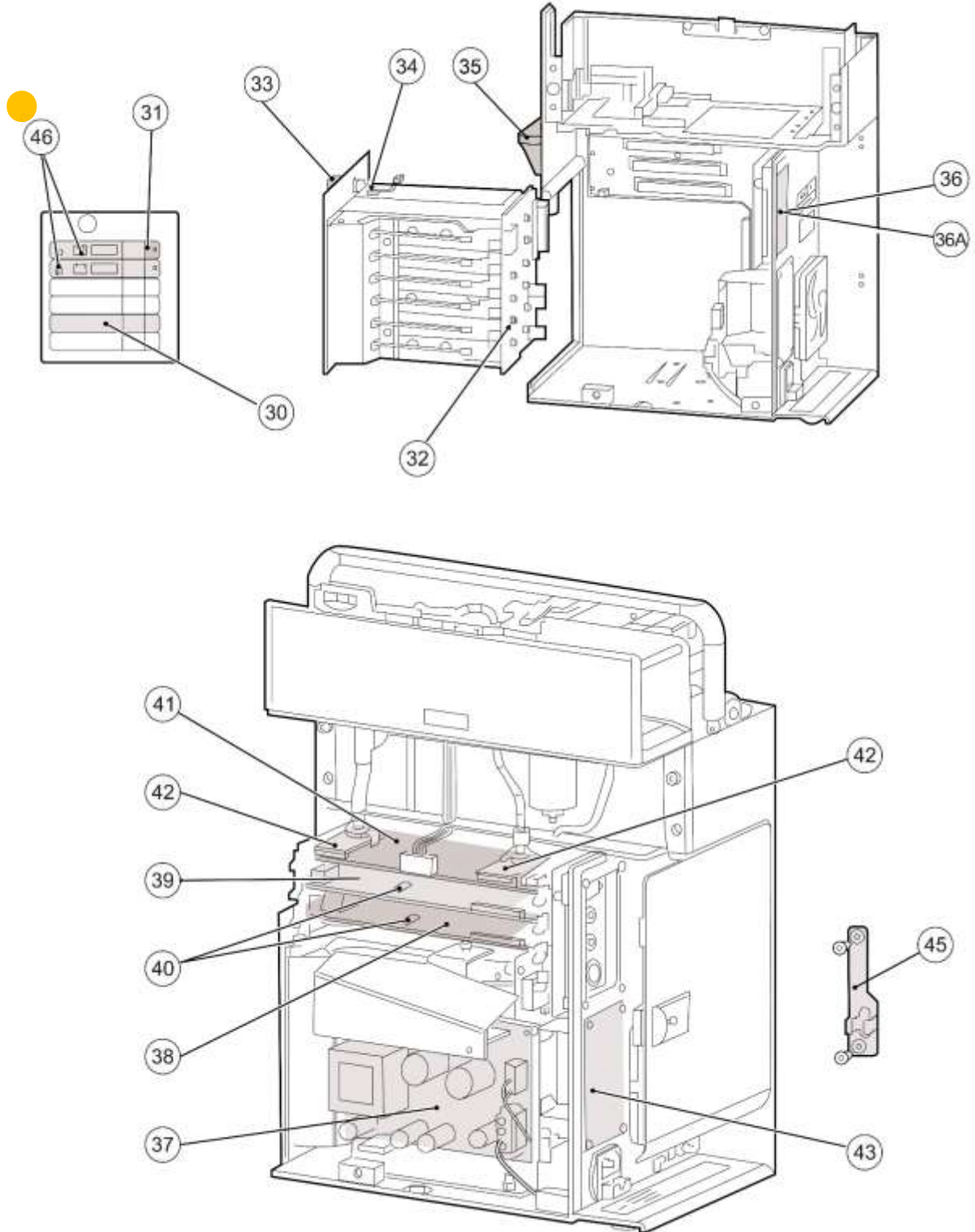
Lot:138

Table 7: Nipples, service kit, tools and miscellaneous

ID	Part no.	Description	Comments
180	6884593	NIST Connection O2 Servo-u/n	
181	6169242	NIST Connection AIR	
182	6169275	Male quick coupling O2, AGA	
183	6169283	Male quick coupling AIR, AGA	
184	6884592	DISS Connection O2 Servo-u/n	
185	6169267	DISS Connection AIR	
186	9131434	O-ring 12.1 X 1.6, 10 pcs	Included in positions 180-185
187	6532621	Maintenance kit 5000h	
188	6884594	French Connection O2 Servo-u/n	Not shown in picture
189	6883300	Isolation test cable kit	Including: <ul style="list-style-type: none"> • Test cable Y sensor module • Test cable Edi module • Test cable Nebulizer • Test cable CO2 analyzer module Capnostat 3 • Test cable CO2 analyzer module Capnostat 5 Not shown in picture
190	9573700	Grease ALEXOL STABOX (oxygen compatible)	Tube of 20 g Not shown in picture
191	6888731	Cable guide	
192	6888750	O2 cell holder	
193	6888289	Support clamp	To be used with Support Arm 178 & 179
194	6425581	Tube joint adult 22mm OD/15 mm ID	Not shown in picture
195	6696744	Adapter 15-10 mm w/drip edge, 5 pcs	Not shown in picture
196	6189018	Tube joint infant 10mm, 5 pcs	Not shown in picture

Servo-i Ventilator
Spare Parts List

Figure 2: Patient unit, Electronics



Servo-i Ventilator Spare Parts List

Table 2: Patient unit, Electronics

ID	Part no.	Description	Comments
30	6670977	Module dummy, 5 pcs	
31	6670672	Locking device, 5 pcs	
32	6696960	Circuit board PC1775 incl. 6467711	
33	6532688	Protective cover, 5 pcs	
34	6342385	Connector	
35	6693447	Spill protector	Remove when installing Nebulizer Module
36	6696962	Circuit board PC1778	
36A	6568054	Fuse 10A, 32V, 10 pcs	
37	6696950	AC/DC Conv. incl. 6449800 w. fuse kit	
	6881639	AC/DC Conv. incl. 6449800 w/o fuse kit	
38	6696957	Circuit board PC1772 incl. 6467620	When used in MR, apply the EMC Absorber kit, position 44
39	6696955	Circuit board PC1771 incl. 6467596	When used in MR, apply the EMC Absorber kit, position 44
40	6194687	Battery	Included in positions 38, 39
41	6884905	Circuit board PC2024 incl. 6881702	Requires SW 8.00.01 (7.01.02, 7.00.05, 7.00.51) or later When used in MR, apply the EMC Absorber kit, position 44
	6892351	PC2024 Type 2 incl. 6891713	Requires SW 8.00.04 (7.00.56) or later When used in MR, apply the EMC Absorber kit, position 44
42	6696967	Circuit board PC1781 incl. 6467893	
43	6649854	Circuit board PC1789	Alarm output connection For S/N ≤ 54000 Not shown in picture
	6686332	RS232/Alarm output, Servo-i upgrade	For S/N > 54000 Including PC1957 Not shown in picture
44	6672250	EMC Absorber kit	Purchase separately for MR applications, contains parts for PC1771, PC1772, PC1784 and PC1777 Not shown in picture
45	6677550	Heliox adapter holder	
46	6487180	Battery module	