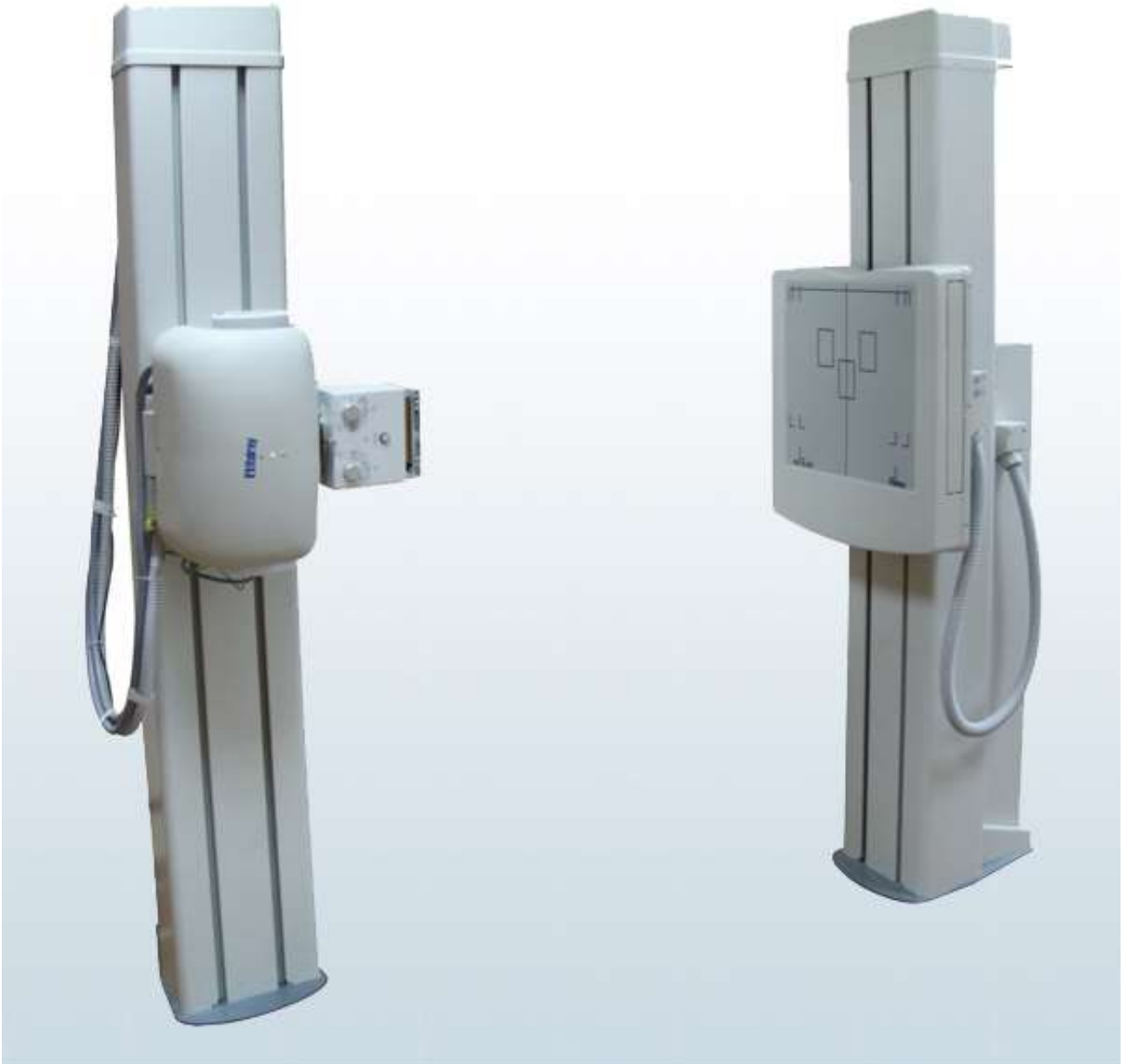


Thorax RAD ROOM (STATIX -BS45)



PRODUCT DATA

Product data

Thorax RAD room – Rev.10 (May 2015)

	Pag.
Description and Configurations	3
Technical Characteristics	7
STATIX	7
BS45	8
Size and Dimensions	9
Classifications	12
Installation and warranty	13

DESCRIPTION

ITALRAY Radiographic Thorax Room includes the following ITALRAY devices:

STATIX: Column Tube Stand sliding on floor rails

BS 45: Vertical Bucky Stand

ITALRAY Thorax Rad Room is X-Ray stationary system developed in order to carry out chest radiography in the shortest time possible.

ITALRAY Thorax Rad Room is provided with fixed Source-Image Distance and Vertical Auto tracking, which allows synchronization between different devices in order to reach the optimal position to perform the requested projection (lateral projection, chest exam, ...).

Precisely: with the Vertical Auto tracking, for tube-receptor auto-centring, the x-ray source follows automatically the vertical bucky (BS45), when they are moved by the operator during patient centring steps (this synchronization is kept also with tilted x-ray tube) thus allowing tube-receptor auto-centring.

In this room, movement management and the choice of operative mode is made on the tube stand (STATIX) console whose display shows any information about SID, tube tilting, error messages, ...

Advanced design of this radiographic rooms, allows, in any moment, its up grading to the digital version (DR Room).

Following, the different devices in details.

TECHNICAL FEATURES

STATIX – COLUMN TUBE STAND	
Maximum height of the x-ray tube focus	2008 mm
Minimum height of the x-ray tube focus	418 mm (with vertical x-ray beam) 395 mm (with horizontal x-ray beam)
Vertical travel	1590 mm
Standard column rotation	[+ 90°; - 90°] (mechanical detents every 90°)
X-ray tube rotation on its axis	[- 135 °; +135°]
Parameter display	Goniometer display (LCD option on SYNCHRO)
Breaking system	Electromagnetic brakes
Column height	2330 mm
Arm lenght (x-ray focus - column centre)	766,5 mm
Column weight (without both x-ray tube and collimator)	200 kg
Power supply and current absorption	24 Vdc – 6 A
Automatic motorized tube bucky tracking	Yes

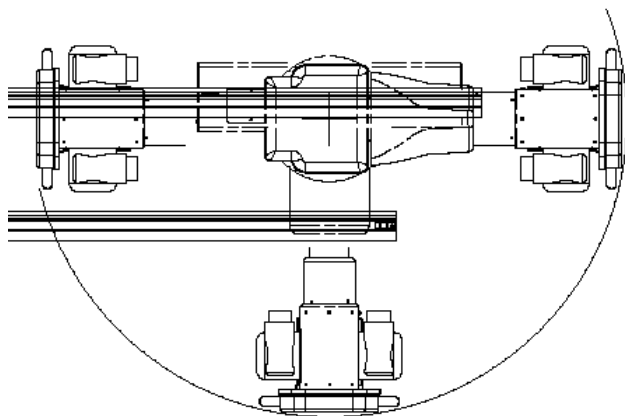
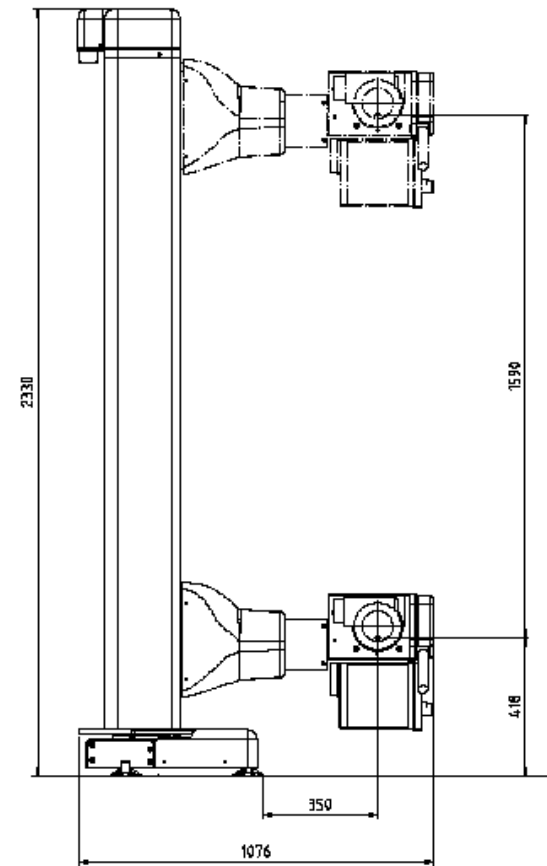
BS45 – VERTICAL BUCKY STAND	
Column height	2196 mm
Max. Height panel centre	2020 mm
Min. Height panel centre	440 mm
Vertical travel	1580 mm
Breaking system	Electromagnetic brakes
Panel dimensions	600 mm x 670 mm (LxH)
Panel – film distance	60 mm
Al equivalence (Panel)	<0,5 mm Al @ 70 kVp
Weight	200 Kg
Potter power supply	24 Vac 50/60 Hz 1,5 A
Oscillating bucky system	Yes
Grid Type	Ratio 10:1, 40l/cm

X-ray GENERATOR	
Generator type	High frequency with output up to 40 kHz
Line Voltage	Single Phase 230 VAC 50Hz +/-10%
Output power	50 KW
kV range	40 - 150 kV
High Voltage Ripple	< 1 kV @ 110 kV
mA range	32 - 630 mA
Range mAs	0.5 - 500 mAs
mAs accuracy	± (10 % + 0.2) mAs
Time range	0,002 - 10 s
Minimum mAs	0,1 mAs
N° of X-Ray Tubes:	1 Tube
Auto-Tube Calibration:	Yes
Anatomical Programs (APR):	540 possible exam techniques with 2 point (kV, mAs) and 3 point (kV, mA, mS) techniques
APR Languages:	7 selectable
N° of Image Receptors:	Max. 5
Remote exposure Hand-Switch	Optional
AEC interface	Optional - Ionization or Solid State
Tube overload protection	Included
Console	Console with 7" digital display touch screen
Pedestal stand	Wall Mount (optional)
Dose Area Product	Optional

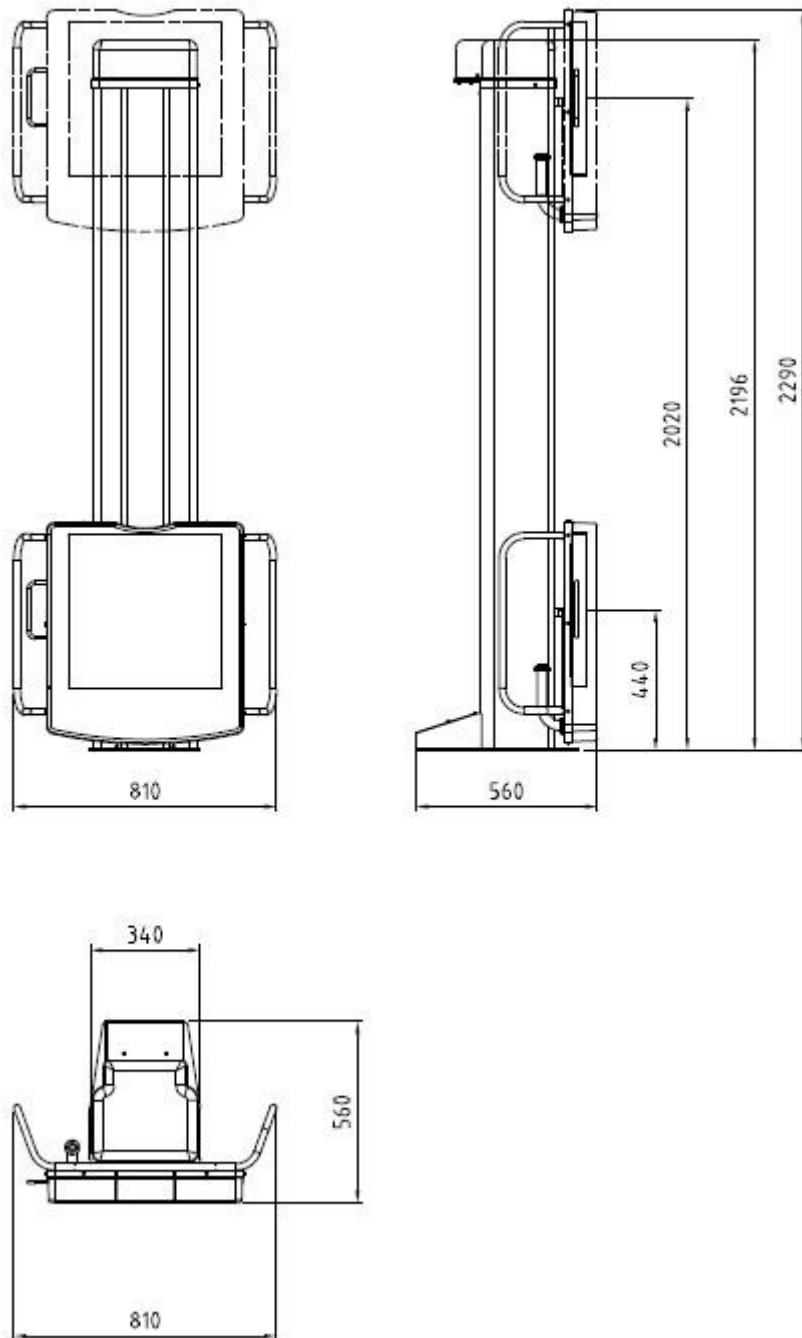
X-RAY TUBE Toshiba 7239x	
Type	Rotating anode
Anode rotating speed	3000 rpm
Focal spot	1 mm / 2 mm
Power	22,5/47,5 kW@3000rpm
Max. KV value	125 kV
Anode Angle	12°
Anode heat storage capacity	1400 KHU (according to IEC 60613)
Housing Capacity	1250 KHU
Housing Heat Dissipation Rate	15kHU/min

SIZE AND DIMENSIONS

STATIX



BS45



CLASSIFICATIONS

All the above mentioned devices for conventional x-ray use have been designed, built and tested accordingly to European directives: 07/47CE (ex 93/42CE), 89/336 CEE, and, in particular, to the following technical requirements:

CEI EN 60601-1

CEI EN 60601-1-3

CEI EN 60601-2-28

CEI EN 60601-1-2

CEI EN 60601-2-32

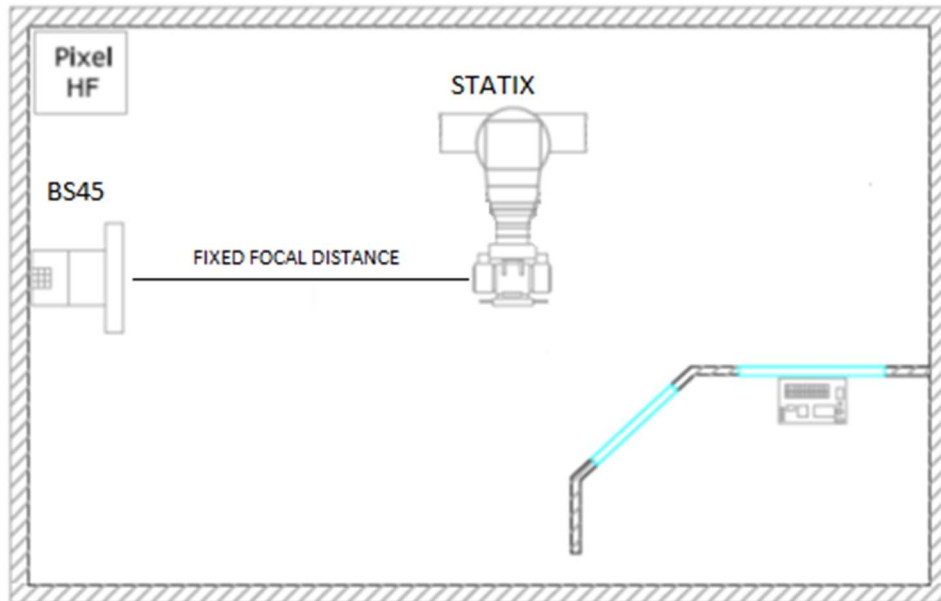
All RAD Room devices are a Class I device,s by the EEC 93/42 and a Class I type B by the CEI EN 60601-1.

ITALRAY is certified according to international standards: UNI EN ISO 9001:2008 (certificate n° CERT-10119-2002-AQ-FLR-SINCERT) , UNI EN ISO 13485:2003 (certificate CERT-03181-98-AQ-IND-SINCERT) by Det Norske Veritas (DNV).

INSTALLATION AND WARRANTY

Complete Thorax RAD room can be installed only by authorized technical personnel that has been appropriately trained by ITALRAY. Upon request, ITALRAY Installation Office can prepare installation layouts (including eventual construction and electrical). ITALRAY can offer to its customers a wide range of service plans that will perfectly fit customer needs and preferences .

ITALRAY guarantees its medical devices for one year from shipment date. It's possible to extend the period by subscribing to a service contract with modality and need of the customer.



Thorax RAD

ITALRAY reserves the right to make modifications without any prior notice.



Via Del Parlamento Europeo 9/D 50018 Scandicci Firenze
tel. +39/055/7228511 fax. +39/055/7228512

website: www.italray.it - e-mail: info@italray.it