

VB400 BODY-WORN CAMERA

The VB400 body-worn camera is designed for 21st century security personnel.



GENERAL INFORMATION

The VB400 is suited to applications where shift-long battery life and high-quality video evidence capture is required.

Typical Usage The VB400 represents the next generation of body-worn camera technology. Rugged build quality. High performance. Multiple ways to connect. Delivering the features you need to take control of every situation.

Management Software

- VideoManager 12.1 or later
- Requires VideoManager License

SIZE AND WEIGHT

Dimensions 2.7 x 3.5 x 1.04 in (68 x 89 x 26.6 mm)

Weight 5.7 oz (162 g), plus mounting

BATTERY

Battery Integral, not user serviceable

Battery Type Lithium-Polymer

Battery Recharging Times Typically recharges in less than 8 hours

Run Time Up to 12-hrs when used with optimum camera settings*

AUDIO

Audio Capture Dual Microphone

Configurable Audio Policy

Enable audio recording for:

- All footage
- All footage except footage captured during pre-record
- No footage

CAMERA

Switches Five software-configurable switches (top switch, two small front switches, large central switch and side-mounted slide switch)

Lens Capture Angle 120° horizontal, 65° vertical, 140° diagonal

Day / Night Operation Supports low light conditions to 0.2 lux

Notification Configurable LEDs, audible and vibration alerts and notifications

CAMERA FEATURES

Peer-assisted Recording Triggers the camera to start recording when other VB400s are within a configurable radius

Pre / Post-Record Facility Full-shift pre / post-record, with up to 2 minute pre / post-recording buffer

Use RFID to allocate cameras to users

RFID Assignment This enables efficient pooled issue of cameras, or RFID controlled personal allocation

Bookmark Footage Instantly mark important video footage by pressing a configured switch or button

Recording Status User Notification Vibration, visual and audible notification

GPS Integral GPS receiver. Mark video streams and recordings with location, and provide location data to management software.

Bluetooth® BT 2.1 + EDR, BLE 4.2

VIDEO AND RECORDING

Video Recording Format	H.264 format with H.265 in future release
Resolution	1920 x 1080 p, 1280 x 720 p and 640 x 360 p
Frame Rate	25 or 30 frames per second
Recording Storage Capacity	64 GB

APPROVALS AND ENVIRONMENTAL

Ingress Protection	IP67
Environmental Temperature Operational Rating	Operating: -4°F to +122°F; (-20°C to +50°C) Charging: +32°F to +77°F (0°C to +25°C)
Drop Tested	Tested to MIL STD 810G

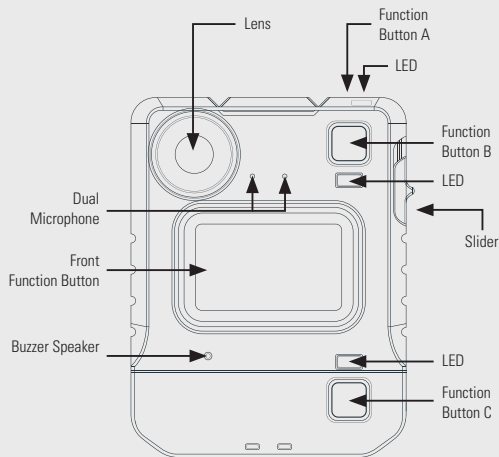
WI-FI® FEATURES

Wi-Fi Specifications	802.11 a/b/g/n (2.4GHz & 5GHz)
Wi-Fi Security	WPA2-PSK
Wi-Fi Streaming	640 x 360 25 or 30 fps

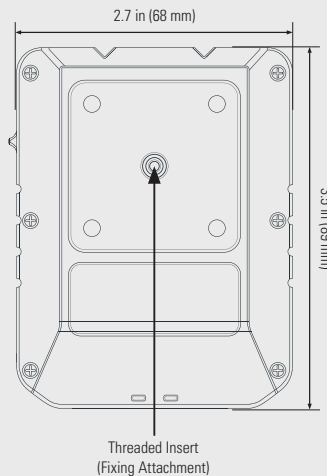
SECURITY

Network Data Security on USB Storage Media	VB400 does not appear as a USB storage device, and cannot receive files whilst connected to a Wi-Fi network
Digital Evidence Integrity Chain	Full audit trail with generated check-sums and watermarked evidential outputs
Audit Trail	Usage, operations and recording details all audit-logged and indexed
Video Downloading Protected by Encryption	AES, encrypted keys specific to base station
Recordings View, Copy and Deletion Ability	The VB400 wearer cannot access, view or delete any recordings directly from the device
Storage Media Access	Sealed unit with no user access to storage media
Compliance	NDA / TAA compliant Manufactured in Canada CMVP validated FIPS 140-2 cryptography

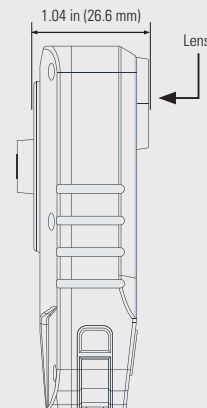
View on Front Face



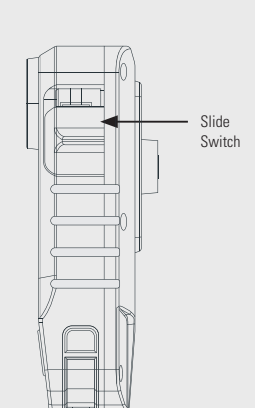
View on Back Face



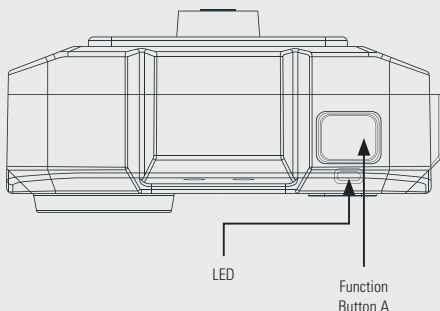
View on Right Face



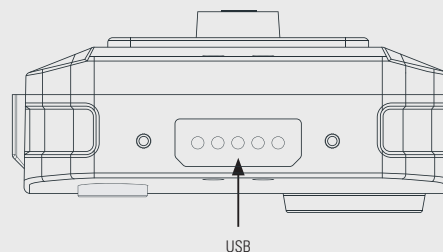
View on Left Face



View on Top Face



View on Bottom Face





VB400 MODELS

VB440-64-KF-N & ACCESSORIES

VB400 (VB-440-64-KF-N) - SUITABLE FOR DIRECTLY ATTACHING TO THE KLICK FAST FIXING OPTIONS



Features include:
 Wi-Fi streaming, Built-in GPS functionality, Bluetooth sensor monitoring, Ruggedized exterior, 64GB storage, Slimline battery (up to 12hrs recording time), please speak to your account manager for warranty options.

PLEASE NOTE: Requires VideoManager Enterprise License. Please speak to your account manager for further details.

PART NUMBER: VB-440-64-KF-N



VB-400-DOCK-SOLO



VB-400-DOCK-14/UK etc.



DC-200/UK etc.



VB-400-EXT-CHARGE



RF-220



RF-STICKER-10
RF-CARD-10



VB-400-ID-CUS-ART



VB-400-ID-CUS-100 etc.

CHARGERS, DOCKCONTROLLERS, RFIDS & CUSTOM DISPLAY STICKERS

VB-400-DOCK-SOLO	VB400 1-Port Dock	RF-STICKER-10	RFID Sticker-Style Tag (x10)
VB-400-DOCK-14-US, VB-400-DOCK-14/ROW, VB-400-DOCK-14/UK, VB-400-DOCK-14/EU, VB-400-DOCK-14/AUS,	VB400 14-Port Dock	RF-CARD-10	RFID-Card (x10)
DC-200-US, DC-200/ROW, DC-200/UK, DC-200/EU, DC-200/AUS	DockController DC-200	VB-400-ID-CUS-ART	Custom VB400 Front-button Sticker (Design)
VB-400-EXT-CHARGE	USB Type A to VB400 Adaptor and Charging Cable	VB-400-ID-CUS-250, VB-400-ID-CUS-1000, VB-400-ID-CUS-5000	Custom VB400 Front-button Sticker (Print). Can be ordered in the following amounts: 250, 1000, 5000
RF-220	RFID RF-220		

VB440-64-KF-N & ACCESSORIES (CONTINUED)



KF-SCREW KF-LOOP KF-DOCKCLAMP KF-DOCKEP KF-MAGMOUNT2 KF-MOLLEVEST KF-DOCKBUTTONM KF-DOCKBUTTONF KF-DOCK05BVELCRO KF-DOCKRUCKSACK KF-DOCKCROCLIP KF-DOCKCROCLAT

KLICK FAST FIXINGS**

KF-SCREW	Klick Fast Uniform Screw-on Dock
KF-LOOP	Klick Fast Radio Loop Dock
KF-DOCKCLAMP	Klick Fast Dock Clamp (Pocket Klick Fast Dock)
KF-DOCKEP	Klick Fast Dock Epaulette
KF-MAGMOUNT2	Klick Fast Magnetic Mounting Set (w/ Magnets)
KF-MOLLEVEST	Klick Fast Dock for MOLLE Vests

KF-DOCKBUTTONM	Klick Fast Button Dock (Male)
KF-DOCKBUTTONF	Klick Fast Button Dock (Female)
KF-DOCK05BVELCRO	Klick Fast Belt Loop
KF-DOCKRUCKSACK	Klick Fast Rucksack Dock
KF-DOCKCROCLIP	Klick Fast Crocodile Clip
KF-DOCKCROCLAT	Klick Fast Crocodile Clip (w/ Anti-tilt Attachment)



KF-HARN3 KF-HARN4 KF-HARN5

KLICK FAST HARNESES

KF-HARN3	Klick Fast 3-Point Chest Harness
KF-HARN4	Klick Fast 4-Point Chest Harness
KF-HARN5	Klick Fast Shoulder Harness



VB400-64-QR-N & ACCESSORIES

VB400 (VB-440-64-QR-N) - SUITABLE FOR ATTACHING TO THE QUICK RELEASE FIXING OPTIONS



Features include:

Wi-Fi streaming, Built-in GPS functionality, Bluetooth sensor monitoring, Ruggedized exterior, 64GB storage, Slimline battery (up to 12hrs recording time), please speak to your account manager for warranty options.

PLEASE NOTE: Requires VideoManager Enterprise License. Please speak to your account manager for further details.

PART NUMBER: VB-440-64-QR-N



VB-400-DOCK-SOLO



VB-400-DOCK-14/UK etc.



DC-200/UK etc.



VB-400-EXT-CHARGE



RF-220



RF-STICKER-10
RF-CARD-10



VB-400-ID-CUS-ART



VB-400-ID-CUS-100 etc.

CHARGERS, DOCKCONTROLLERS, RFIDS & CUSTOM DISPLAY STICKERS

VB-400-DOCK-SOLO	VB400 1-Port Dock
DOCK-14-US, VB-400-DOCK-14/ROW, VB-400-DOCK-14/UK, VB-400-DOCK-14/EU, VB-400-DOCK-14/AUS,	VB400 14-Port Dock
DC-200-US, DC-200/ROW, DC-200/UK, DC-200/EU, DC-200/AUS	DockController DC-200
VB-400-EXT-CHARGE	USB Type A to VB400 Adaptor and Charging Cable
RF-220	RFID RF-220

RF-STICKER-10	RFID Sticker-Style Tag (x10)
RF-CARD-10	RFID-Card (x10)
VB-400-ID-CUS-ART	Custom VB400 Front-button Sticker (Design)
VB-400-ID-CUS-250, VB-400-ID-CUS-1000, VB-400-ID-CUS-5000	Custom VB400 Front-button Sticker (Print). Can be ordered in the following amounts: 250, 1000, 5000



VB-400-QR-KFSTUD



VB-400-QR-KFTILT



VB-400-QR-KFTILT2



VB-400-QR-SPORT

QUICK RELEASE FIXINGS

VB-400-QR-KFSTUD	Klick Fast Quick Release Stud
VB-400-QR-KFTILT	Klick Fast Quick Release Tilt Mount
VB-400-QR-KFTILT2	Klick Fast Quick Release Wide Tilt Mount
VB-400-QR-SPORT	Quick Release Sports Camera Pillar



KF-HARN3



KF-HARN4



KF-HARN5

CLICK FAST HARNESES***

KF-HARN3	Klick Fast 3-Point Chest Harness
KF-HARN4	Klick Fast 4-Point Chest Harness
KF-HARN5	Klick Fast Shoulder Harness

VB440-64-VF-N & ACCESSORIES

VB400 (VB-440-64-VF-N) - SUITABLE FOR ATTACHING TO THE CLOSE FIT MOUNT OPTIONS



Features include:

Wi-Fi streaming, Built-in GPS functionality, Bluetooth sensor monitoring, Ruggedized exterior, 64GB storage, Slimline battery (up to 12hrs recording time), please speak to your account manager for warranty options.

PLEASE NOTE: Requires VideoManager Enterprise License. Please speak to your account manager for further details.

PART NUMBER: VB-440-64-VF-N



VB-400-DOCK-SOLO



VB-400-DOCK-14/UK etc.



DC-200/UK etc.



VB-400-EXT-CHARGE



RF-220



RF-STICKER-10
RF-CARD-10



VB-400-ID-CUS-ART



VB-400-ID-CUS-100 etc.

CHARGERS, DOCKCONTROLLERS, RFIDS & CUSTOM DISPLAY STICKERS

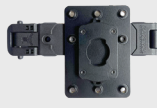
VB-400-DOCK-SOLO	VB400 1-Port Dock	RF-STICKER-10	RFID Sticker-Style Tag (x10)
DOCK-14-US, VB-400-DOCK-14/ROW, VB-400-DOCK-14/UK, VB-400-DOCK-14/EU, VB-400-DOCK-14/AUS,	VB400 14-Port Dock	RF-CARD-10	RFID-Card (x10)
DC-200-US, DC-200/ROW, DC-200/UK, DC-200/EU, DC-200/AUS	DockController DC-200	VB-400-ID-CUS-ART	Custom VB400 Front-button Sticker (Design)
VB-400-EXT-CHARGE	USB Type A to VB400 Adaptor and Charging Cable	VB-400-ID-CUS-250, VB-400-ID-CUS-1000, VB-400-ID-CUS-5000	Custom VB400 Front-button Sticker (Print). Can be ordered in the following amounts: 250, 1000, 5000
RF-220	RFID RF-220		



VB-400-VF-MAG



VB-400-VF-MOL2



VB-400-VF-MOL1-HR



VB400-VF-HARN4

CLOSE-FIT MOUNTS

VB-400-VF-MAG	Close-Fit Magnetic Mount
VB-400-VF-MOL2	Close-Fit Double MOLLE Mount
VB-400-VF-MOL1-HR	Close-Fit Single MOLLE Mount
VB400-VF-HARN4	Close-Fit 4-Point Chest Harness

VB440-64-ALIG & ACCESSORIES

VB400 (VB-440-64-ALIG) - COMES WITH A FACTORY FITTED ALLIGATOR CLIP



Features include:

Wi-Fi streaming, Built-in GPS functionality, Bluetooth sensor monitoring, Ruggedized exterior, 64GB storage, Slimline battery (up to 12hrs recording time), please speak to your account manager for warranty options.

PLEASE NOTE: Requires VideoManager Enterprise License. Please speak to your account manager for further details.

PART NUMBER: VB-440-64-ALIG



VB-400-DOCK-SOLO



VB-400-DOCK-14/UK etc.



DC-200/UK etc.



VB-400-EXT-CHARGE



RF-220



RF-STICKER-10
RF-CARD-10



VB-400-ID-CUS-ART



VB-400-ID-CUS-100 etc.

CHARGERS, DOCKCONTROLLERS, RFIDS & CUSTOM DISPLAY STICKERS

VB-400-DOCK-SOLO	VB400 1-Port Dock
VB-400-DOCK-14-US, VB-400-DOCK-14/ROW, VB-400-DOCK-14/UK, VB-400-DOCK-14/EU, VB-400-DOCK-14/AUS,	VB400 14-Port Dock
DC-200-US, DC-200/ROW, DC-200/UK, DC-200/EU, DC-200/AUS	DockController DC-200
VB-400-EXT-CHARGE	USB Type A to VB400 Adaptor and Charging Cable
RF-220	RFID RF-220

RF-STICKER-10	RFID Sticker-Style Tag (x10)
RF-CARD-10	RFID-Card (x10)
VB-400-ID-CUS-ART	Custom VB400 Front-button Sticker (Design)
VB-400-ID-CUS-250, VB-400-ID-CUS-1000, VB-400-ID-CUS-5000	Custom VB400 Front-button Sticker (Print). Can be ordered in the following amounts: 250, 1000, 5000



AC-LANYARD-05



AC-HARN5

LANYARDS AND HARNESES

AC-LANYARD-05	Lanyard with 5 Breakpoints and 2 Loops
AC-HARN5	Alligator Clip Shoulder Harness



For more information, please visit: www.motorolasolutions.com/BWC



AVIGILON™

Model and accessory availability varies by region.

* Features such as Wi-Fi impact battery life.

** Klick Fast Harnesses are compatible with the VB-440-64-QR-N when used in conjunction with Klick Fast Quick Release Fixings. Also available for the VB-440-64-KF-N camera.

*** Also available for the VB-440-64-QR-N when used in conjunction with Klick Fast Quick Release Fixings.

MOTOROLA, MOTO, MOTOROLA SOLUTIONS, and the Stylized M Logo are trademarks or registered trademarks of Motorola Trademark Holdings, LLC and are used under license. AVIGILON and the AVIGILON logo are trademarks of Avigilon Corporation. All other trademarks are the property of their respective owners. © 2023 Motorola Solutions, Inc. All rights reserved. 07-2023 [JP33]