

REAR LOADING CONTAINERS – 4 WHEELS

C1100

1100 L

Capacity

440 Kg

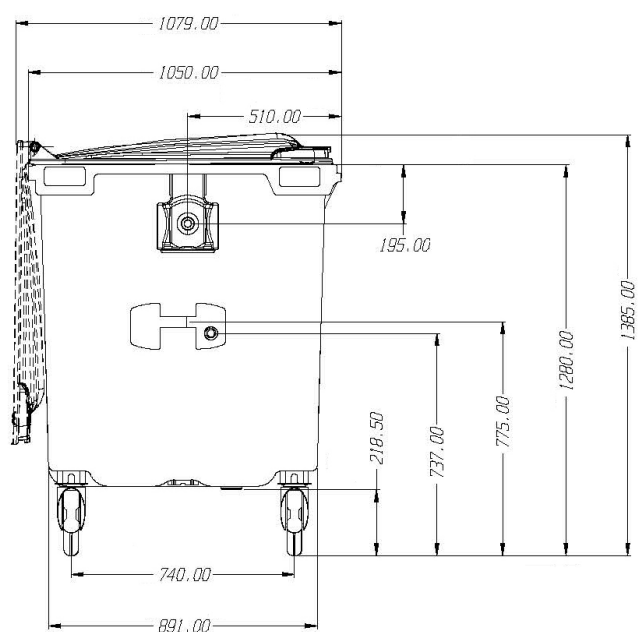
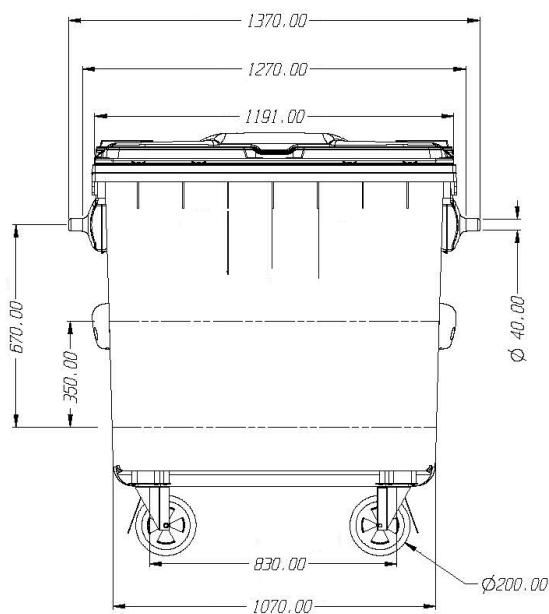
Nominal load

200 mm

Wheels diameter



TECHNICAL SPECIFICATIONS



REAR LOADING CONTAINERS – 4 WHEELS

C1100

FEATURES

- The design of the rear-loading CONTENÜR containers are focused on the ergonomics and aesthetics of all parts.
- Manufactured using injection moulded solid-coloured high-density polythene, stabilised against the combined effects of water and UV radiation.
- It is manufactured using environmental-friendly, recyclable materials.
- No heavy metals in the pigments used.

STANDARDS

- CE Marking with sound power level indicated in accordance with European Directive 2000/14/EC. 92 db.
- Product Approval Certificate awarded by TÜV SÜD Product Service GmbH in accordance with European Standard EN 840: 2020.
- Accesibility certificate in accordance with UNE EN 170001.

EQUIPMENT AND ACCESSORIES

- The containers are designed to facilitate stacking, optimising logistics, which contributes to reduced CO₂ emissions when transporting them.
- Customised containers for each type of waste collection: paper and cardboard, glass, plastics, organic waste...
- DIN lifting system.
- Integrated sound-proofing system in the lid.
- Recess for the installation of electronic chips.
- Wheels designed to prevent dirt from sticking to the wheel and to aid cleaning.
- Containers with 4 wheels equipped with brake to prevent them from moving.
- Possibility of customising body and lid of the container with shields, logos, etc. using thermal printing.
- Customisation of body with thermal printing, maximum size: 400x400 mm.
- Customisation of lid with thermal printing, maximum size: 45x230 mm.



C700



C800



C1000



C1100



C1100 TC

REAR LOADING CONTAINERS – 4 WHEELS

CT100

CUSTOMISATION

Can be equipped with a range of accessories providing real solutions to every requirement.



RECTANGULAR OPENINGS



CIRCULAR OPENINGS



CUSTOMISATION WITH THERMAL PRINTING



LID-IN-LID
Useful size: 300 x 250 mm



LARGE LID-IN-LID
Useful size: 400 x 330 mm



RUBBER LID-IN-LID
Useful size: 285 x 150 mm



PEDAL



ACCESSIBILITY PACK



WIDE RANGE OF COLOURS